

# RQL TYPE DEMENSION

---

CEMENT FIXED RESISTORS

시멘트고정저항기

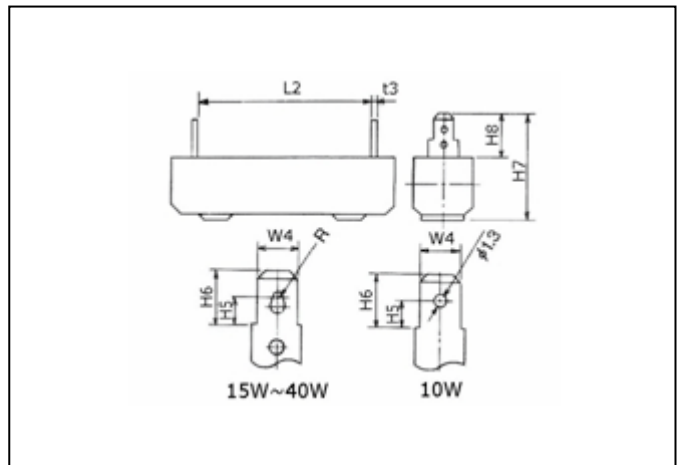
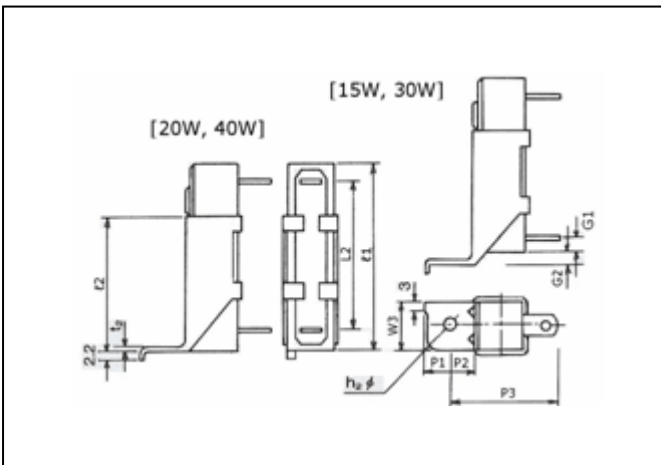
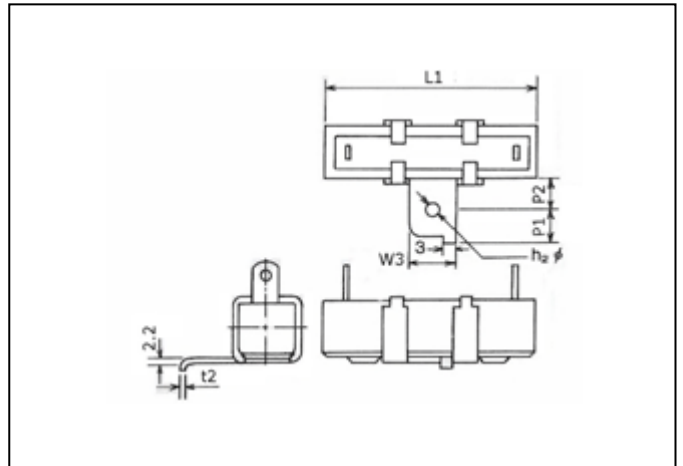
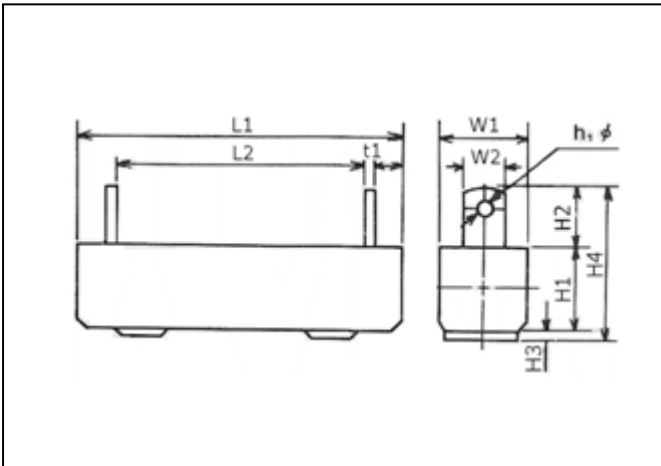
# RQL TYPE DEMENSION

## ▶ 일반규격 | GENERAL SPECIFICATIONS



형명 Type	정격전력 Rated Wattage	저항치범위 Resistance Range
RQL 10	10W	0.1 ~ 999kΩ
RQL 15	15W	0.1 ~ 999kΩ
RQL 20	20W	0.1 ~ 999kΩ
RQL 25	25W	0.1 ~ 999kΩ
RQL 30	30W	0.1 ~ 999kΩ
RQL 40	40W	0.1 ~ 999kΩ

## ▶ 촌법 | DIMENSIONS



형명 Type	촌 법 Dimensions [mm]													
	L1±2.5	L2	W1 ±1.2	W2± 0.2	W3± 0.2	W4±0.2	H1±1.5	H2±2	H3±0.2	H4±1.5	H5±0.2	H6±0.2	H7±2.5	H8±2
RQL 10	48	34 -2	9.5	5.0	12	4.75	9.5	6.0	0.8	16.5	3.2	6.35	20.8	10
RQL 15	48	36 -2	12.5	6.0	12	4.75	12.5	7.5	1.0	21	3.2	6.35	25.5	12
RQL 20	63	49.5 -3	12.5	6.0	12	4.75	12.5	7.5	1.0	21	3.2	6.35	25.5	12
RQL 25	62	46.5 -3	16	7.5	12	-	16	12	1.0	29	-	-	-	-
RQL 30	76	56 -4	19	7.5	18	6.35	19	10	1.0	30	4.0	7.95	35.5	15.5
RQL 40	90	71 -4	19	7.5	18	6.35	19	10	1.0	30	4.0	7.95	35.5	15.5

형명 Type	촌 법 Dimensions [mm]													
	P1±0.2	P2±0.2	P3±3	ℓ1±2.5	ℓ2±1.5	G1±2	G2±2	h1Φ	H2Φ	t1±0.1	t2±0.1	t3±0.1	R	
RQL 10	6	8	-	-	-	5.5	-	2.0	4.0	0.4	0.6	0.5	Φ13	
RQL 15	6	8	28	56	43	6.5	8	2.5	0.5	0.8(0.6)	0.6	0.5	0.65	
RQL 20	6	10	28	63.5	43	6.5	-	2.5	0.5	0.8(0.6)	0.6	0.5	0.65	
RQL 25	6	10	-	-	-	8.0	-	3.0	4.2	0.5	0.8	-	-	
RQL 30	8	10	39	82.5	64	9.0	7.5	3.0	4.2	0.5	0.8	0.8	0.825	
RQL 40	8	10	39	90	64	9.0	-	3.0	4.2	0.5	0.8	0.8	0.825	