

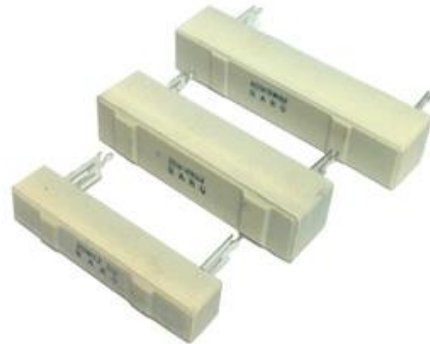
# RQB TYPE DIMENSION

---

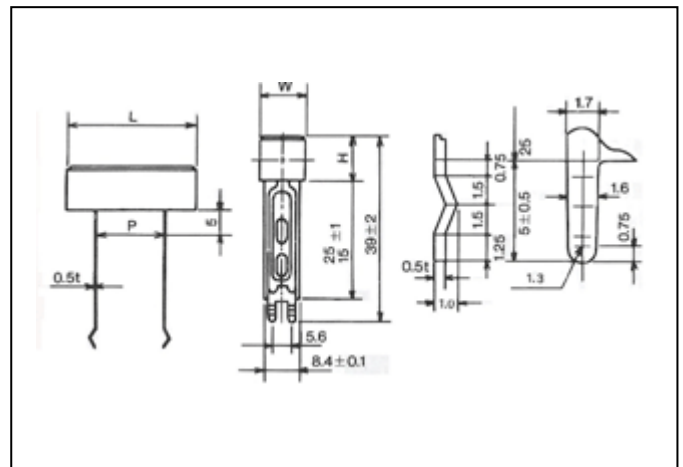
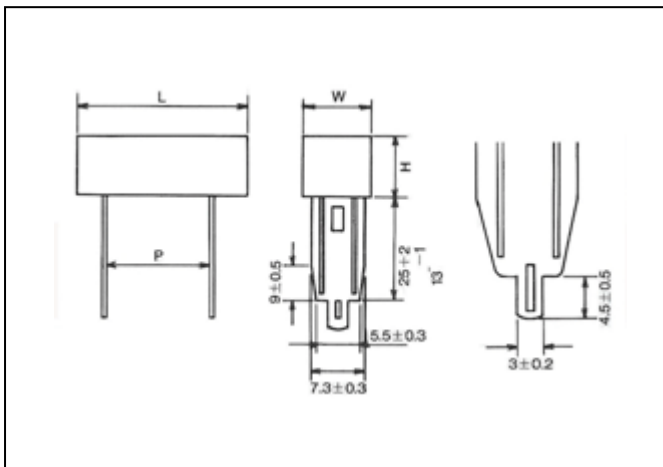
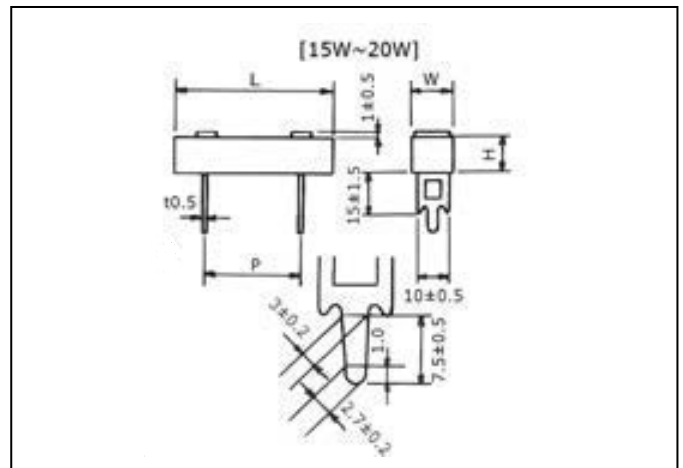
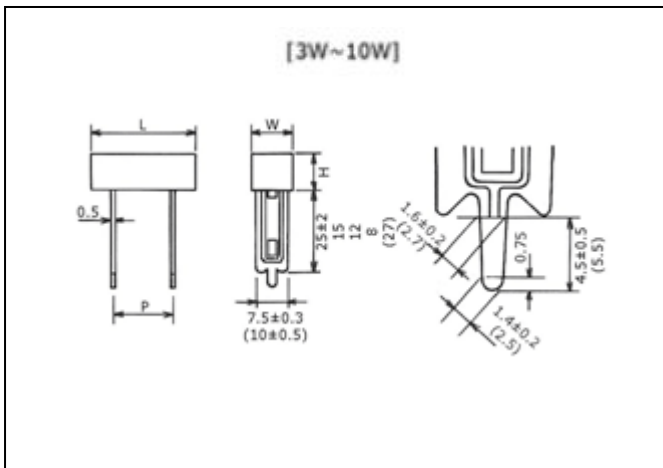
CEMENT FIXED RESISTORS

시멘트 고정저항기

# RQB TYPE DIMENSION



## ▶ **준법** | DIMENSIONS



▶ 일반규격 | GENERAL SPECIFICATIONS

형명 Type	정격전력 Rated Wattage	저항치범위 Resistance Range		촌 법 Dimensions [mm]			
		Glass core	MOR core	L±1.5	W±1.2	H±1.2	P±1.5
RQB 05	5W	0.1~1KΩ	2KΩ ~9.9MΩ	27.0	9.5	9.5	15.0
RQB 07	7W	0.1~2KΩ	2KΩ ~9.9MΩ	35.0	9.5	9.5	22.5
RQB 10	10W	0.1~2KΩ	2KΩ ~9.9MΩ	48.0	9.5	9.5	35.0
RQB 15	15W	0.1~500Ω	2KΩ~9.9MΩ	48.0	12.5	12.5	32.5
RQB 20	20W	0.1~3KΩ	3KΩ~9.9MΩ	63.5	12.5	12.5	47.5
RQB 25	25W	0.1~3KΩ	3KΩ~9.9MΩ	63.5	16.5	16.5	47.58
RQB 30	30W	0.1~3KΩ	3KΩ~9.9MΩ	75	18.5	18.5	57
RQB 40	40W	0.1~10KΩ	10KΩ~9.9MΩ	90	18.5	18.5	70

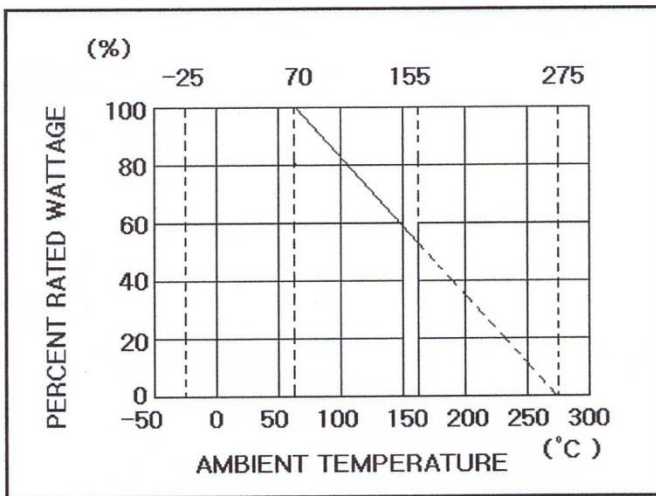


Figure 5.

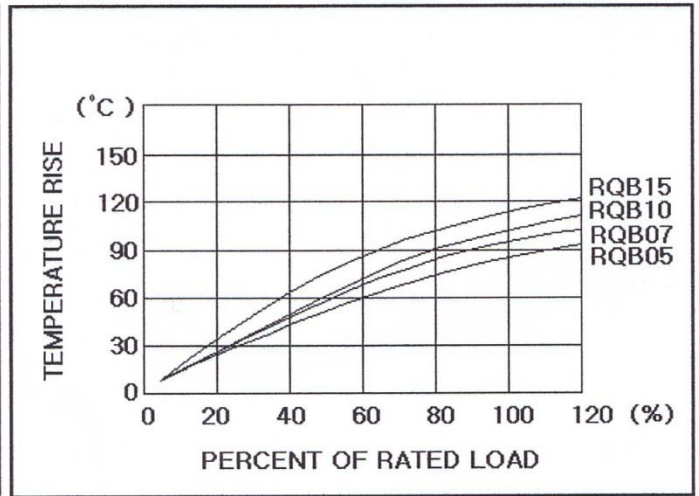


Figure 6.