

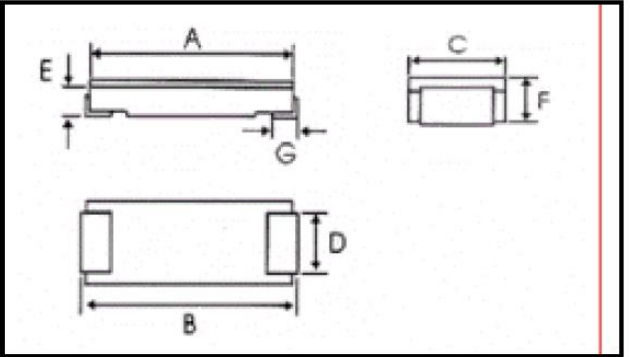
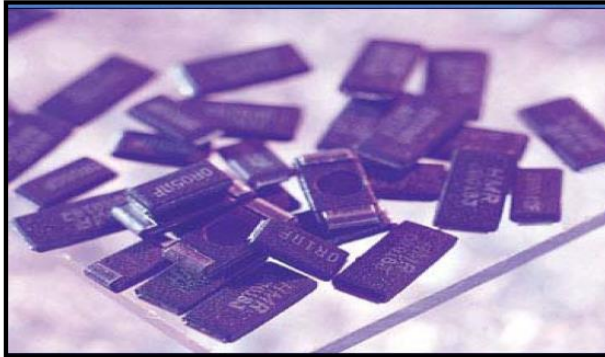
**MPS** 금속판저항기 **METAL PLATE RESISTORS (SHUNT)**  
 <SMD TYPE> Low Value, Surface Mount

■ MATERIAL SPECIFICATIONS

- ▶ ELEMENT : COPPER-NICKEL ALLOY OR FE-CHROME ALLOY
- ▶ MOLDING : SPECIAL HIGH TEMPERATURE ENCAPSULATION
- ▶ STANDARD TERMINALS : TINNED COPPER ALLOY

■ FEATURES

- ▶ MOLDED HIGH – TEMPERATURE ENCAPSULATION
- ▶ NON-INDUCTIVE STYLES



■ 일반규격 및 치수 GENERAL SPECIFICATIONS & DIMENSIONS

형 명 Type	정격전력 Rated Wattage	저항치범위 Resistance Range	치수 Dimensions [mm]						
			A±0.2	B±0.2	C±0.5	D±0.2	E±0.2	F±0.2	G±0.5
MPS 2010	0.5W	0.003 ~ 0.05Ω	4.7	5.0	2.5	2.0	1.27	1.1	1.2
MPS 2512	1W	0.002 ~ 0.10Ω	6.0	6.4	3.2	2.0	1.40	1.3	1.0
MPS 3216	2W	0.003 ~ 0.20Ω	8.0	8.3	4.0	3.0	1.40	1.2	1.2

■ 특 성 CHARACTERISTICS

Test	Conditions & Test method
1. 저항치오차 Resistance Tolerance	±5%, ±3%, ±1%
2. 사용온도범위 Operating Temp. Range	-55°C ~ +150°C
3. 온도계수 Temperature coefficient	±90ppm/°C Maximum
4. 절연저항 Insulation Resistance	1000MΩ Minimum
5. 내전압 Dielectric Withstanding Voltage	±0.1% AC500V 1minutes
6. 단시간과부하 Short Time Overload	±0.5% 5×wattage rating- 5seconds
7. 내구성 Load Life	±0.5% Wattage rating 1.5hrs.-on, 30min-off, 500hrs.
8. 내습성 Moisture Resistance	±0.2% 40°C, 95%RH, 0.1×wattage rating. 1.5hrs.-on, 30min-off, 500hrs
9. 단자강도 Terminal Strength	±0.1% Pull-1kgf, Bent-1kgf (30secs-2cycles)
10. 열충격 Thermal Shock	±1.0% 350 ±5°C, 2 hours
11. 내진성 Vibration	±0.1% X-2 hours, Y-2 hours

■ 주문방법 HOW TO ORDER

MPS 2512	0.1Ω	1%
모델명	저항치	허용오차
<PACKAGING> ▶ EMBOSSED CARRIER TAPE PER ▶ EIA-481-1, 2 ▶ TAPE WIDTHS : MPS 2010- 12.1mm/1000 PIECES/7" REEL MPS 2512- 16.0mm/1000 PIECES/7" REEL MPS 3216- 16.0mm/2000 PIECES/13" REEL		

■ 전력경감곡선 DERATING CURVE

