

IRH, IRV 메탈클래드저항기 METAL-CLAD RESISTORS

특징 FEATURES

알루미늄 케이스에 몰드된 구로이므로 기계적 강도가 우수하며, 주위환경에 완벽한 보호를 받아 내습성 뛰어나고, 소형이면서도 Heat-sink를 적절히 이용하여 대전력에 사용 할 수 있도록 설계되어있다.

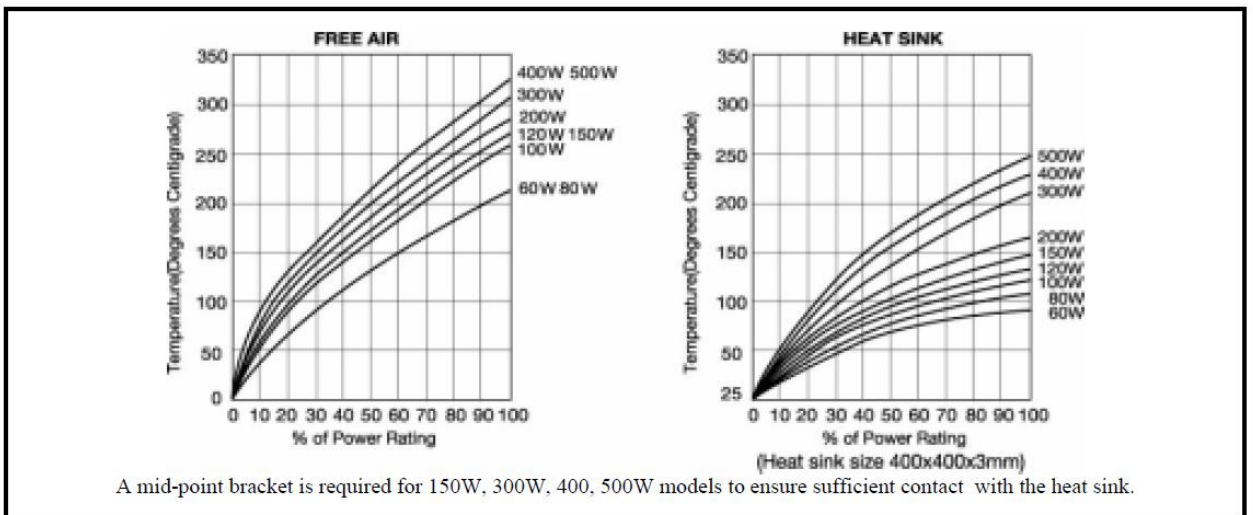
일반규격 GENERAL SPECIFICATIONS

형명 Type	정격전력 Rated Wattage	저항치범위 Resistance Range		허용오차 Resistance Tolerance
		Inductive	Non-Inductive	
IRH, IRV60	60W	0.1~270	0.1~56	±0.5(D) ±1.0(F) ±2.0(G) ±5.0(J) ±10(K)
IRH, IRV80	80W	0.1~910	0.1~110	
IRH, IRV100	100W	0.1~1.1K	0.1~240	
IRH, IRV120	120W	0.1~1.3K	0.1~300	
IRH, IRV150	150W	0.1~1.6K	0.1~390	
IRH, IRV200	200W	0.1~2.2K	0.1~1.0K	
IRH, IRV300	300W	0.1~2.7K	0.1~1.5K	
IRH, IRV400	400W	0.1~4.3K	0.1~2.2K	
IRH, IRV500	500W	0.1~6.8K	0.1~3.0K	

특성 CHARACTERISTICS

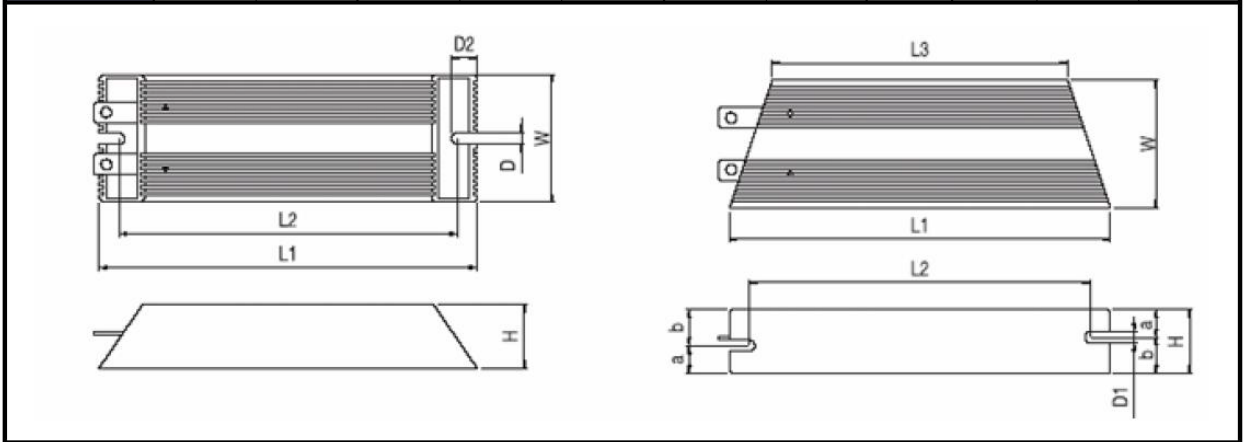
Test	Conditions & Test method	
1. 사용온도범위 Operating Temp. Range	-55°C~ +200°C	
2. 절연저항 Insulation Resistance	20MΩ Minimum	
3. 내전압 Dielectric Strength	Available options: AC1500V, AC2500V, 3500V, 4500V, 5400V (Max. leakage current: 2mA)	
4. 온도계수 Temperature coefficient	±260ppm/°C Maximum	
5. 단시간과부하 Short Time Overload	±[2.0% + 0.05Ω]	5×wattage rating for 5seconds
6. 내습성 Moisture Resistance	±[3.0% + 0.05Ω]	40°C, 95%RH, DC100V case to terminal (500hrs)
7. 열충격 Thermal Shock	±[2.0% + 0.05Ω]	Wattage rating 30minutes, -25°C 15 minutes
8. 내진성 Vibration	±[1.0% + 0.05Ω]	10Hz - 55Hz - 10Hz (1min), 2hrs. each direction.
9. 내습내구성 Moisture Load Life	±[3.0% + 0.05Ω]	40°C, 95%RH, 0.1×wattage rating. 1.5hrs.-on, 30min-off, 500hrs
10. 내구성 Load Life	±[5.0% + 0.05Ω]	Wattage rating 1.5hrs.-on, 30min-off, 500hrs

온도상승곡선 TEMPERATURE RISE CURVE



■ **촌 법 DIMENSIONS**

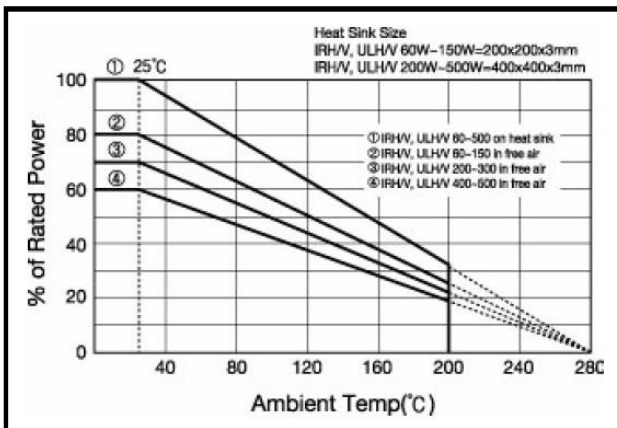
형 명 Type	촌 법 Dimensions [mm]										Weight[g]	
	L1±2	L2±2	L3±2	W±0.5	H±0.5	D1±0.3	D2±0.3	a	b	IRH	IRV	
IRH, IRV60	100	87	60	41	22	4.3	8.65	10	12	110	113	
IRH, IRV80	150	137	110	41	22	4.3	8.65	10	12	195	189	
IRH, IRV100	165	152	125	41	22	4.3	8.65	10	12	216	215	
IRH, IRV120	182	169	142	41	22	4.3	8.65	10	12	245	241	
IRH, IRV150	210	197	170	41	22	4.3	8.65	10	12	283	290	
IRH, IRV200	165	146	125	60	30	5.3	12	13	17	485	447	
IRH, IRV300	215	196	175	60	30	5.3	12	13	17	600	600	
IRH, IRV400	265	246	225	60	30	5.3	12	13	17	770	780	
IRH, IRV500	335	316	295	60	30	5.3	12	13	17	990	980	



■ **단자전선규격 FLYING LEADS**

형 명 Type	8mm ²	5.5mm ²	2mm ²	1.25mm ²
IRH, IRV 60-150	×	×	0.1Ω ~ 0.99Ω	1Ω ~
IRH, IRV 200-500	0.1Ω ~ 0.99Ω	1Ω ~ 4.99Ω	5Ω ~	×

■ **전력경감곡선 DERATING CURVE**



■ **주문방법 HOW TO ORDER**

IRH 500W(N) 50Ω J 300mm
 1 2 3 4 5(옵션)

1. 형명 Type
2. 정격전력 Rated Wattage(무유도 Non-Inductive)
3. 저항치 Resistance
4. 허용오차 Tolerance
5. 단자전선 Flying leads (옵션)