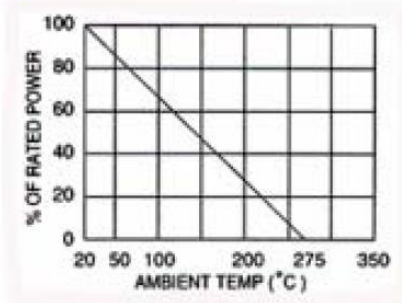


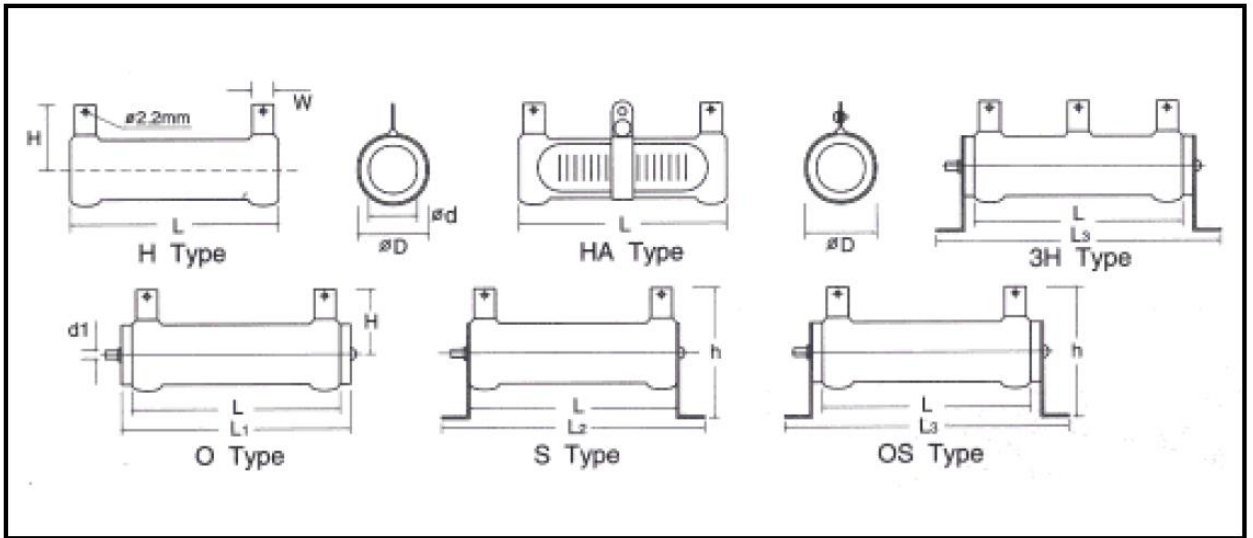
HRW 대전력형 권선저항기 (15 Watt to 2k Watt)
HIGH POWER TYPE WIRE WOUND RESISTORS



■ 전력경감곡선 DERATING CURVE



■ 외형규격 DIMENSIONS



■ 특 성 CHARACTERISTICS

Test		Conditions & Test method	
1. 사용온도범위	Operating Temp. Range	-55°C~ +275°C	
2. 온도계수	Temperature coefficient	20Ω ≤ ±260ppm/°C Maximum. 20Ω > ±400ppm/°C Maximum	
3. 절연저항	Insulation Resistance	20MΩ Minimum	
4. 내전압	Dielectric Withstanding Voltage	±[1.0% + 0.05Ω]	AC1000V 1minutes
5. 단시간과부하	Short Time Overload	±[2.0% + 0.05Ω]	10×wattage rating- 5seconds
6. 내구성	Load Life	±[5.0% + 0.05Ω]	Wattage rating 1.5hrs.-on, 30min-off, 1000hrs
7. 내습성	Moisture Resistance	±[3.0% + 0.05Ω]	40°C, 95%RH, 0.1×wattage rating. 1.5hrs.-on, 30min-off, 500hrs
8. 단자강도	Terminal Strength	±[1.0% + 0.05Ω]	Pull-1kgf, Bent-1kgf (30secs-2cycles)
9. 열충격	Thermal Shock	±[2.0% + 0.05Ω]	350 ±5°C, 2 hours
10. 내진성	Vibration	±[1.0% + 0.05Ω]	X-2 hours, Y-2 hours

HRW 대전력형 권선저항기 (15 Watt to 2k Watt)
HIGH POWER TYPE WIRE WOUND RESISTORS

■ 정격 및 촌법 **RATING & DIMENSIONS**

형 명 Type	정격전력 Rated Wattage	저항치범위 Resistance Range(Ω)	촌 법 Dimensions [mm]								
			L±3	L1±3	L2±3	L3±3	φD±2	W±0.5	H±1	h±2	d1
HRW 15	15W	0.1~15k	45	51	70	78	14	5	15	32	M3
HRW 20	20W	0.1~20k	50	56	75	93	18	5	19	40	M3
HRW 30	30W	0.1~30k	75	81	100	118	18	5	19	40	M3
HRW 40	40W	0.1~40k	90	96	115	133	18	5	19	40	M3
HRW 60	60W	0.3~50k	90	102	120	167	28	7	31	61	M4
HRW 80	80W	0.3~50k	115	127	140	192	28	7	31	61	M4
HRW 100	100W	0.5~50k	140	152	175	217	28	7	31	61	M4
HRW 120	120W	0.5~50k	165	177	195	242	28	7	31	61	M4
HRW 150	150W	0.5~100k	195	207	225	272	28	7	31	61	M4
HRW 200	200W	0.5~100k	254	266	285	331	28	7	31	61	M4
HRW 300	300W	0.5~100k	254	270	295	333	43	10	38	82	M6
HRW 400	400W	0.5~150k	330	346	370	409	43	10	38	82	M6
HRW 500	500W	0.5~150k	300	316	340	379	56	10	44	95	M6
HRW 600	600W	0.5~150k	330	346	370	409	56	10	44	95	M6
HRW 700	700W	0.5~180k	330	346	370	409	65	10	59	126	M6
HRW1000	1000W	0.5~200k	330	358	372	409	75	10	64	130	M6
HRW1200	1200W	0.5~200k	330	358	372	409	75	10	64	130	M6
HRW1500	1500W	0.5~230k	400	428	442	479	75	10	64	130	M6
HRW2000	2000W	0.5~270k	500	528	542	579	75	10	64	130	M6

■ 원자재구성 **MATERIALS**

■ 주문방법 **HOW TO ORDER**

<p>✦ CORE -STEATITE CHEMICALLY INSERT WILL WITHSTAND SEVERE THERMAL SHOCK AND IMPERVIOUS TO MOISTURE.</p> <p>✦ ELEMENT -HIGHEST QUALITY COPPER - NICKEL ALLOY OR NICKEL CHROME ALLOY DEPENDING ON RESISTANCE VALUE -SPECIAL ALLOY AVAILABLE UPON REQUEST</p> <p>✦ COATING -SPECIAL HIGH TEMPERATURE SILICONE.</p>	<p style="text-align: center;"> <u>HRW</u> <u>100W(N)</u> <u>50Ω</u> <u>J</u> 1 2 3 4 </p> <p>1. 형명 Type 2. 정격전력 Rated Wattage(무유도 Non-Inductive) 3. 저항치 Resistance 4. 허용오차 Tolerance</p>
--	--